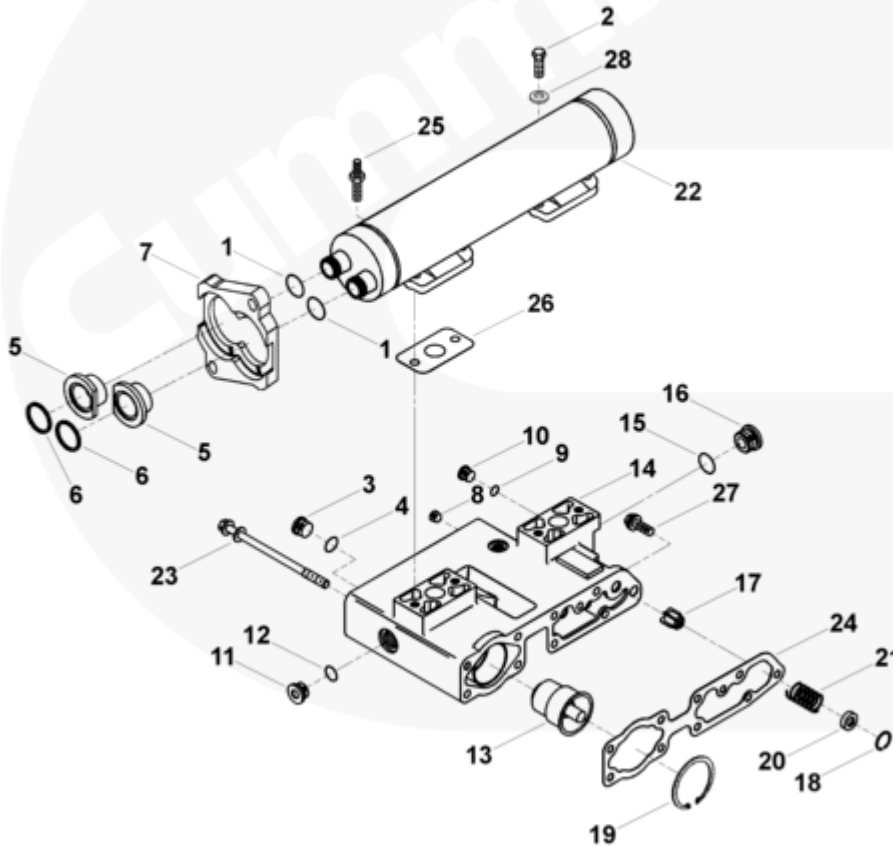




Parts Catalog - Option Detail

| Electronic Parts Catalog - Option Detail | | | | |
|--|--|---------|-----------|-----------|
| Option | Group | Graphic | Film Card | Date |
| LC2766-05 | 07.05 | lc206gb | II | 04-JUN-12 |
| Engines | ISM CM570, ISM CM570/870, ISM CM875, ISM CM876, ISM CM876 E, ISM11 CM876 M103, ISM11 CM876 SN, M11 CELECT, M11 CELECT PLUS, M11 MECHANICAL, QSM11 CM570, QSM11 CM876 | | | |

©Cummins Inc



lc206gb

[SMALL](#) | [MEDIUM](#) | [LARGE](#)

| Cart | Ref No | Part Number | Part Description | Required | Remarks |
|------------------------------|--------|-------------|------------------------|----------|--|
| View My Cart | | | | | |
| | | LC2766-05 | Lubricating Oil Cooler | | Lube Oil Cooler...(More) |

| | | | | | |
|--------------------------|----|---------|-----------------------------|---|------------------------------|
| | | | | | Filter And Cooler Head. |
| | | | | | Engine Brake Provision: No |
| | | | | | Lube Oil Filter Head Thread |
| | | | | | Size: M95 X 2.5 |
| | | | | | Thermostat Opening |
| | | | | | Temperature (Deg C): 107.222 |
| | | | | | (225 Deg F) |
| <input type="checkbox"/> | 1 | 109080 | O-Ring Seal | 2 | |
| <input type="checkbox"/> | 2 | 3034836 | Hexagon Head Cap Screw | 4 | M10 X 1.50 X 30. |
| <input type="checkbox"/> | | 3046202 | Threaded Plug | 1 | 3/4 - 16 UNF. |
| | 3 | 3040810 | Threaded Plug | 1 | |
| <input type="checkbox"/> | 4 | 3046201 | O-Ring Seal | 1 | |
| <input type="checkbox"/> | 5 | 3080401 | O-Ring Adapter | 2 | |
| <input type="checkbox"/> | 6 | 3080769 | Rectangular Ring Seal | 2 | |
| <input type="checkbox"/> | 7 | 3102571 | Connection Retainer | 1 | |
| <input type="checkbox"/> | | 3102784 | Lubricating Oil Filter Head | 1 | |
| <input type="checkbox"/> | 8 | 3008466 | Pipe Plug | 1 | 1/4 NPT. |
| <input type="checkbox"/> | | 3037536 | Threaded Plug | 2 | 9/16 - 18 UNF. |
| <input type="checkbox"/> | 9 | 3037537 | O-Ring Seal | 1 | |
| | 10 | 3040813 | Threaded Plug | 1 | 9/16 - 18 UNF. |
| <input type="checkbox"/> | | 3040815 | Threaded Plug | 1 | 7/18 - 14 UNF |
| | 11 | 3040816 | Threaded Plug | 1 | |
| <input type="checkbox"/> | 12 | 3040817 | O-Ring Seal | 1 | |
| <input type="checkbox"/> | 13 | 4952630 | Thermostat | 1 | |
| <input type="checkbox"/> | 14 | 3102774 | Lubricating Oil Filter Head | 1 | |
| <input type="checkbox"/> | | 3202101 | Threaded Plug | 1 | 1 1/16 - 12 UNF. |
| <input type="checkbox"/> | 15 | 3046943 | O-Ring Seal | 1 | |
| | 16 | 3050897 | Threaded Plug | 1 | |
| <input type="checkbox"/> | 17 | 3820320 | Bypass Valve Plunger | 1 | |

| | | | | | |
|--------------------------|----|-------------------------|-------------------------------|---|-------------------|
| <input type="checkbox"/> | 18 | 3820631 | Retaining Ring | 1 | |
| <input type="checkbox"/> | 19 | 3820782 | Retaining Ring | 1 | |
| <input type="checkbox"/> | 20 | 3882585 | Expansion Plug | 1 | |
| <input type="checkbox"/> | 21 | 3882586 | Compression Spring | 1 | |
| <input type="checkbox"/> | 22 | 4975879 | Oil Cooler | 1 | |
| <input type="checkbox"/> | 23 | 3406888 | Hexagon Flange Head Cap Screw | 6 | M10 X 1.50 X 170. |
| <input type="checkbox"/> | 24 | 3820629 | Filter Head Gasket | 1 | |
| <input type="checkbox"/> | 25 | 3883394 | Studded Hexagon Cap Screw | 2 | |
| <input type="checkbox"/> | 26 | 3892625 | Oil Cooler Support Gasket | 2 | |
| <input type="checkbox"/> | 27 | 3896724 | Hexagon Flange Head Cap Screw | 3 | |
| <input type="checkbox"/> | 28 | 3036460 | Spring Washer | 4 | |